

FEEDING

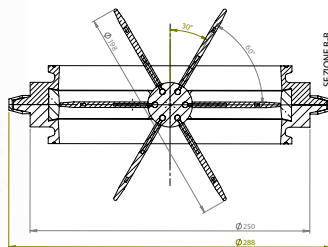
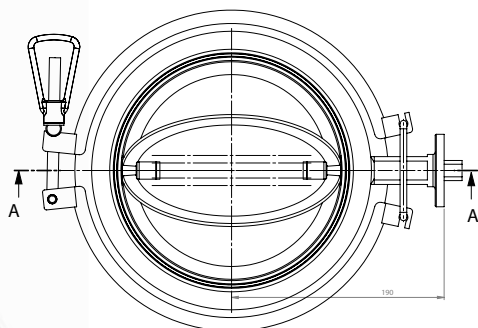
ROTOFLEX



STERIVALVES
Process Advantage

RotoFlexy is part of the modular system (see Modular System sheet). This valve is designed to feed fragile products such as capsules, tablets and all those elements that can be easily damaged by the movement of a stainless steel rotor.

Unlike traditional systems, RotoFlexy is easy to clean and has very simple and low-cost maintenance.



A possible configuration

TYPICAL APPLICATIONS:

Controlled feeding of packaging machines such as blister packaging machines in the pharmaceutical field

MAIN FEATURES:

- Manufactured according to cGMP and EHEDG guidelines
- Suitable for CIP and SIP

MATERIALS:

- Body: Stainless steel EN 1.4404 (AISI 316L)
- Rotor: With removable translucent silicone-coated blades
- Seal: Translucent Silicone

MOTION DRIVE:

- Pneumatic actuator

DECLARATIONS AND CERTIFICATIONS:

- FDA Certification (CFR § 177.2600)
- Material Certificate 3.1 as per EN10204

SIZES:

100	150	200
-----	-----	-----

FINISH:

Ra 0.5 µm internal, 1.2 µm external