

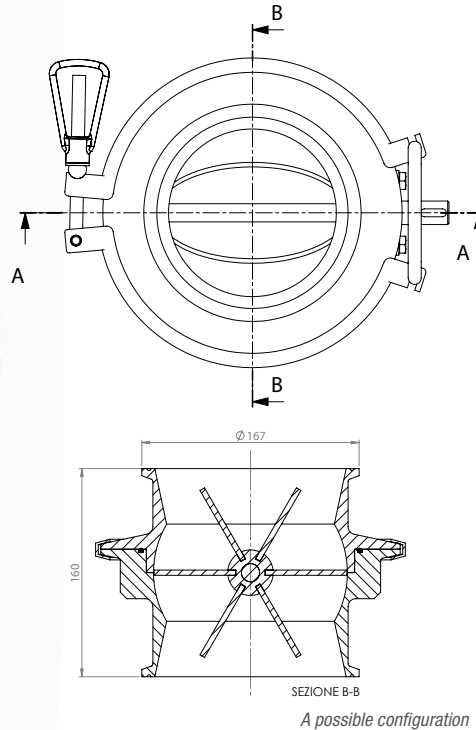
ROTOVALVE HEAVY



STERIVALVES
Process Advantage

Rotovalve Heavy is designed to aid the feeding and volumetric dosing of bulk solid products. One of the main feature is GMP and compact design.

The labyrinth seal make it particularly suitable for use in applications where the shadding is not accepted. Number and volume of pockets to be customized in order to achive a specific dosing.



TYPICAL APPLICATIONS:

Mixers, load cells, tablet presses, packaging

MAIN FEATURES:

- Manufactured according to cGMP and EHEDG guidelines
- Suitable for CIP and SIP

MATERIALS:

- Stainless Steel EN 1.4404 (AISI 316L)
- Bushings: ERTALYTE TX (PEEK+PTFE on request)

MOTION DRIVE:

- Electric motor
- Pneumatic motor

DECLARATIONS AND CERTIFICATIONS:

- FDA Certification (CFR § 177.2600)
- Material Certificate 3.1 as per EN10204
- ATEX

SIZES:

50	100	150	200	250	300
----	-----	-----	-----	-----	-----

FINISH:

Ra 0.5 μm internal, 1.2 μm external



Via Enrico Mattei, 293/N, 55100 Lucca, Italy
T +39 0583 440 560 F +39 0583 440 559 | www.sterivalves.eu

*We are able to meet all requirements,
depending on the specific application*

GR006

ROTOVALVE HEAVY
DOSING